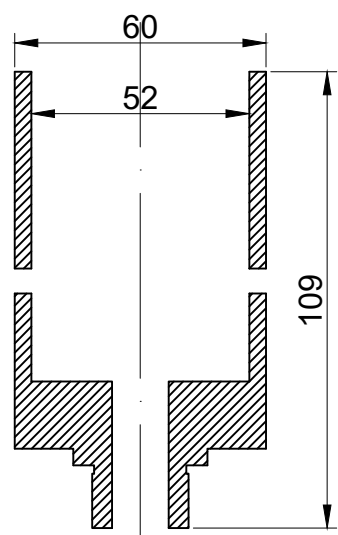
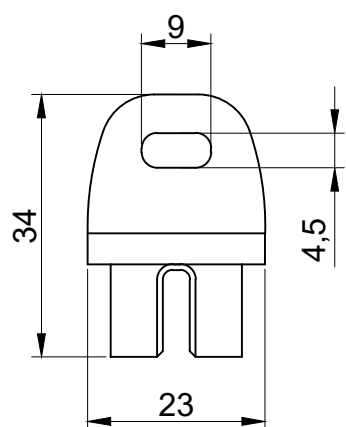


UNS20500 - SAILING SUPPORT SYSTEM



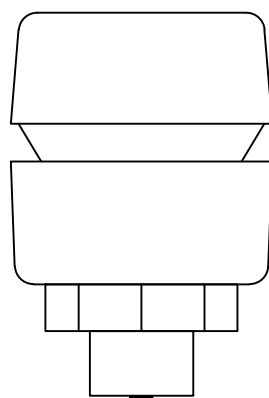
VSG40065/2

Adapter for Airmar sensor fixing on pole in PVC material



The package includes four mounting brackets

VSG40065
Weather and navigation sensor



M12-5pin Female

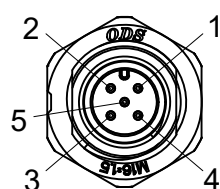
Micro-USB connector, female, panel mounting. Available with Cap and lanyard. IP67 protection grade

VSG40065/1 - Cable 10m for VSG40065

TECHNICAL FEATURES

Case Material: Polycarbonate
 Dimensions: 130x180x77mm
 Power Supply: 12-24V - <500mA
 Connections: M12-5pin
 Micro USB
 Operating Temp.: 0..+55°C
 Protection Grade: IP66

M12-5pin Connector



NMEA CONNECTOR

Pin	Color	Function
1	White	Nmea 0183 TTL In
2	Red	+12/24V Power Supply NMEA
3	Black	GND
4	-	0..32V Analog Input
5	-	0..32V Analog Input

Rev:	Date:	Descrizione modifiche - Description of changes:	SAN GIORGIO S.E.I.N. GENOVA - ITALY			
0	18/07/16	Prima emissione	Tel. 010-8301222 - www.sangiorgiosein.com			
1	15/03/17	Aggiunte note tecniche ed aggiornato layout	Stazione meteo wireless Sailing Support System			
2	20/03/17	Modificato layout collegamento	Number:	Product code:	Sheet:	Size:
3	09/05/19	Modificata cassa e componenti strumento	D160718	UNS20500	1/1	A3
4	25/01/21	Inserita nuova etichetta con led visibili e colori fili cablaggio connettore M12	Compiled:	Checked:	Approved:	
			Silvestri M.	Manuelli M.	Manuelli M.	

Se non diversamente specificato, tutte le dimensioni sono da intendersi in mm e le tolleranze delle quote ±0.1mm